

**GCSE Chemistry A (Gateway Science)**

**J248/01** Chemistry A C1-C3 and C7 (Foundation Tier)

**Question Set 4**

1 A student investigates some exothermic and endothermic reactions.

(a) He measures the temperature changes during some chemical reactions.

Look at his table of results.

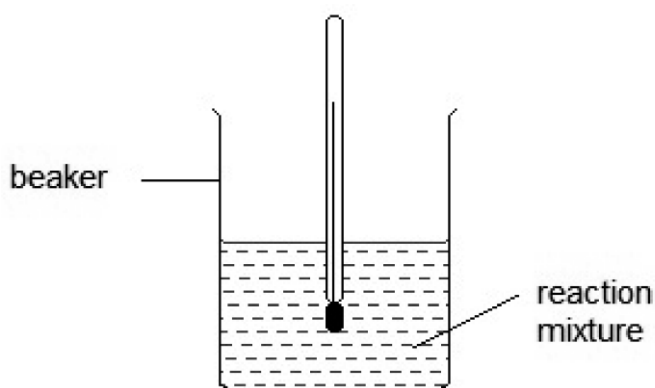
Reaction	Temperature at start (°C)	Temperature at end (°C)	Temperature change (°C)
1	15	25	+10
2	15	15	0
3	18	15	-3
4	15	20	+5

What can you conclude about the **type** of energy change in each reaction?

Explain your answer.

[4]

(b) A student does an experiment with an acid and an alkali.



1. He adds the acid to a beaker and measures its temperature.
2. He then adds the alkali to the beaker and stirs the mixture.
3. At the end of the reaction, he removes the thermometer from the beaker and measures the temperature.

How should he improve his method? Explain your answer.

[2]

- (c) A student adds water to calcium oxide. A vigorous exothermic reaction takes place forming calcium hydroxide.

Calcium hydroxide has the formula  $\text{Ca}(\text{OH})_2$ .

Show that the relative formula mass ( $M_r$ ) of calcium hydroxide is 74.1.

[2]

**Total Marks for Question Set 4: 8**

---

# OCR

Oxford Cambridge and RSA

***Copyright Information***

OCR is committed to seeking permission to reproduce all third-party content that it uses in its assessment materials. OCR has attempted to identify and contact all copyright holders whose work is used in this paper. To avoid the issue of disclosure of answer-related information to candidates, all copyright acknowledgements are reproduced in the OCR Copyright Acknowledgements Booklet. This is produced for each series of examinations and is freely available to download from our public website ([www.ocr.org.uk](http://www.ocr.org.uk)) after the live examination series.

If OCR has unwittingly failed to correctly acknowledge or clear any third-party content in this assessment material, OCR will be happy to correct its mistake at the earliest possible opportunity.

For queries or further information please contact The OCR Copyright Team, The Triangle Building, Shaftesbury Road, Cambridge CB2 8EA.

OCR is part of the Cambridge Assessment Group; Cambridge Assessment is the brand name of University of Cambridge Local Examinations Syndicate (UCLES), which is itself a department of the University of Cambridge